

STATIONARY COMPACTOR

KP Mini Series

K-PACTM
A Division Of New Way



Big Jobs in Small Spaces

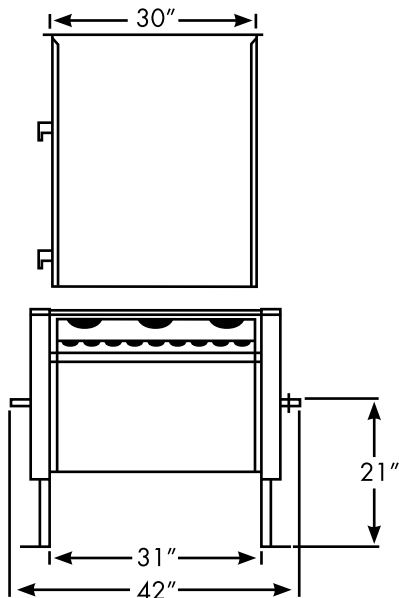
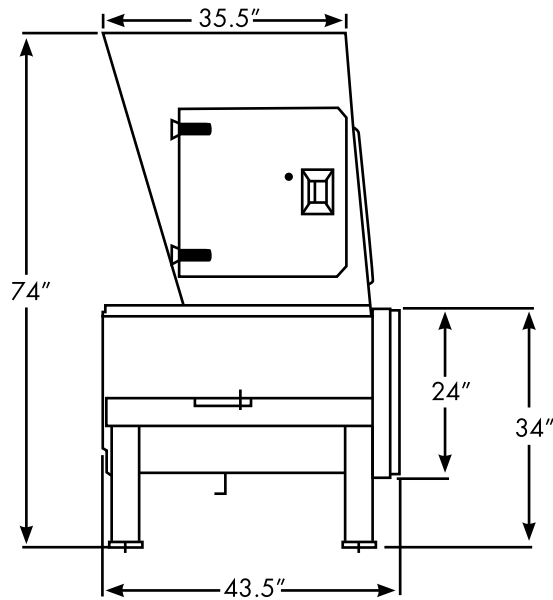
K-PAC equipment, a leader in engineered innovation and dependability K-PAC provides quality fit, finish, and workmanship that exceeds industry standards.

K-PAC Equipment, a division of Scranton Manufacturing Co., has established itself as a leader in innovation and dependability in the waste equipment industry. From engineering to production, K-PAC is committed to providing top quality equipment and service. Quality of fit, finish and engineering assures increased longevity. When you're in a tight spot, turn to the K-PAC Stationary "Mini Series" Stationary Compaction Units designed to do big jobs in small spaces.

K-PAC Equipment, a division of Scranton Mfg. Corp., has established itself as a leader in innovation and dependability in the was equipment industry. From engineering to production, K-PAC is committed to providing top quality equipment and service.

KP Mini Series: Specifications

KP Mini Dimensions



KP Mini Specifications

WASTEC Rating	.24 Cubic Yards
Mfrs. Rated	.31 Cubic Yards
Cleartop Opening	22.5" x 28" x 24" Deep
Ram Penetration	6"
Cylinder Size	2 - 2.5" x 20"
Compactor Sides	.31 Plate
Ram Top	.38 Plate
Ram Face	.38 Plate
Power Pack HP	3 HP 3 Phase (or) 1 P Single Phase
Cycle Time	17 Seconds 3HP
Cycle Time	29 Seconds 1 HP
Norm. Force	15,500 lbs
Max. Force	17,500 lbs
Norm. Ram Face Pressure	31.3 PSI
Max. Ram Face Pressure	35.4 PSI
Norm. PSI	1,850 PSI
Max. PSI	2,100 PSI
Pump Size	3 GPM Hi-Low
Res. Size	13 Gallons
Weight/Complete	1,530 lbs.

AUTHORIZED DEALER



A division of **NEW WAY**

for more product information visit us online at newwaytrucks.com